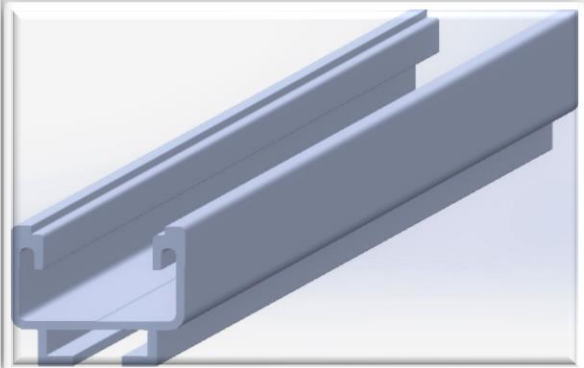


ES.EASY.ROOF.001



APPLICATION EXAMPLE

Technical Features

Inclination angle	0 to 35 degrees
Maximum distance between supports	1,5 m
Weight system	1,55 Kg/m² (vertical modules)
Weight system including modules	12,73 Kg/m² (vertical modules)



Warranty and quality

- Manufacturing Warranty: **15 years**
- Mounting System Rail of extruded aluminium (EN AW-6060) with thermal treatments (EN 573-3 and EN 755-2). (Special treatments can be applied for aggressive environments, under quotation);
- Triangle/Multiangle Aluminium System (EN AW-6060) with thermal treatments (EN 573-3 and EN 755-2). (Special treatments can be applied for aggressive environments, under quotation);
- Stainless Steel-A2 products (DIN ISO 4759/1 and DIN 267/2). (For aggressive environments can be used Stainless steel-A4, under quotation);
- Roof attachments in stainless steel and/or aluminium for different kind of roof conditions;
- Snow load: 1 kN / m² for locations under 1.000 m above the sea level;
- Wind load: For a maximum height of 9m and in type II exposure in compliance with Eurocode, maximum wind speed according to structure calculation, for maximum inclination up to 35°.

Benefits

- System for installation of universal clamping module, becoming highly versatile and suitable for all types of modules;
- Adaptation to any type of roof (tile, sandwich panels, wooden beams, concrete and steel). Custom design solutions;
- Standard or customized solution;
- Easy assembly structure with no need to drill or cut between every component that holds that same structure;
- Extraordinary strength and reliability.