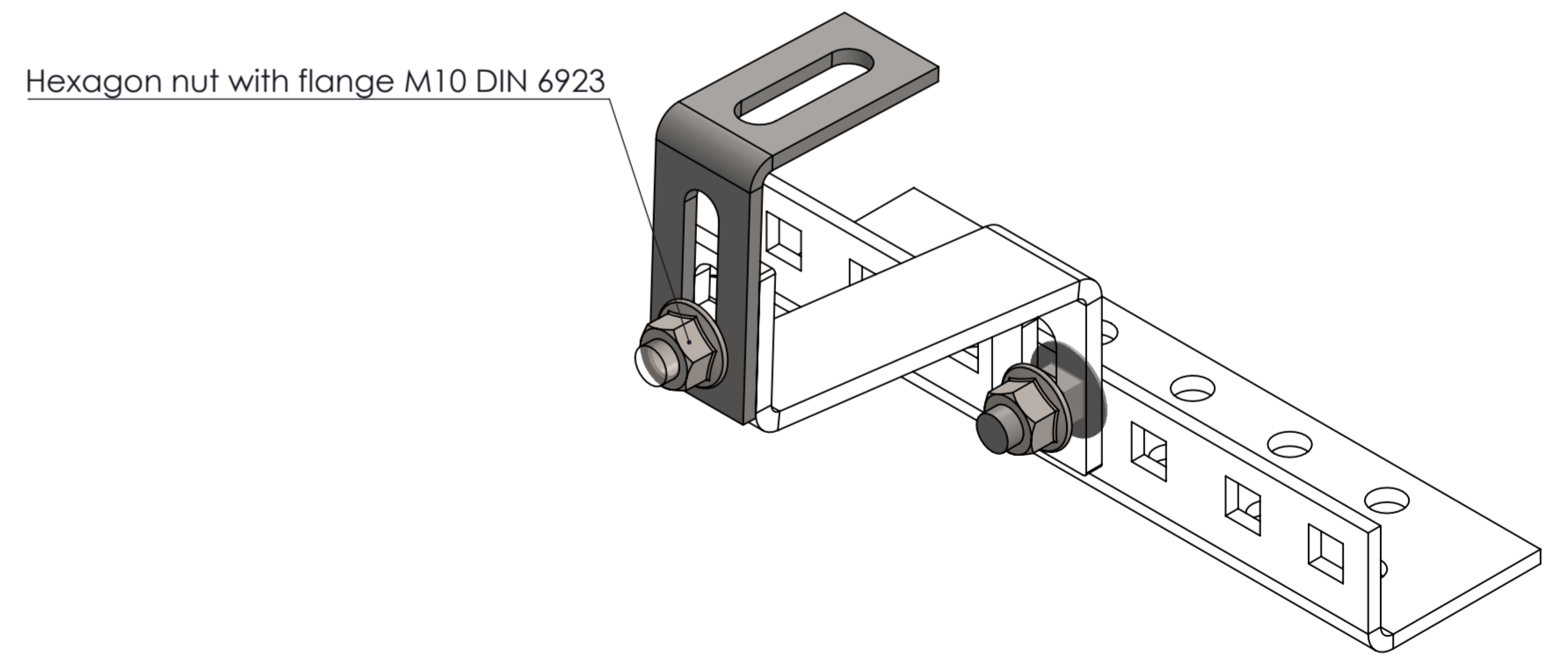
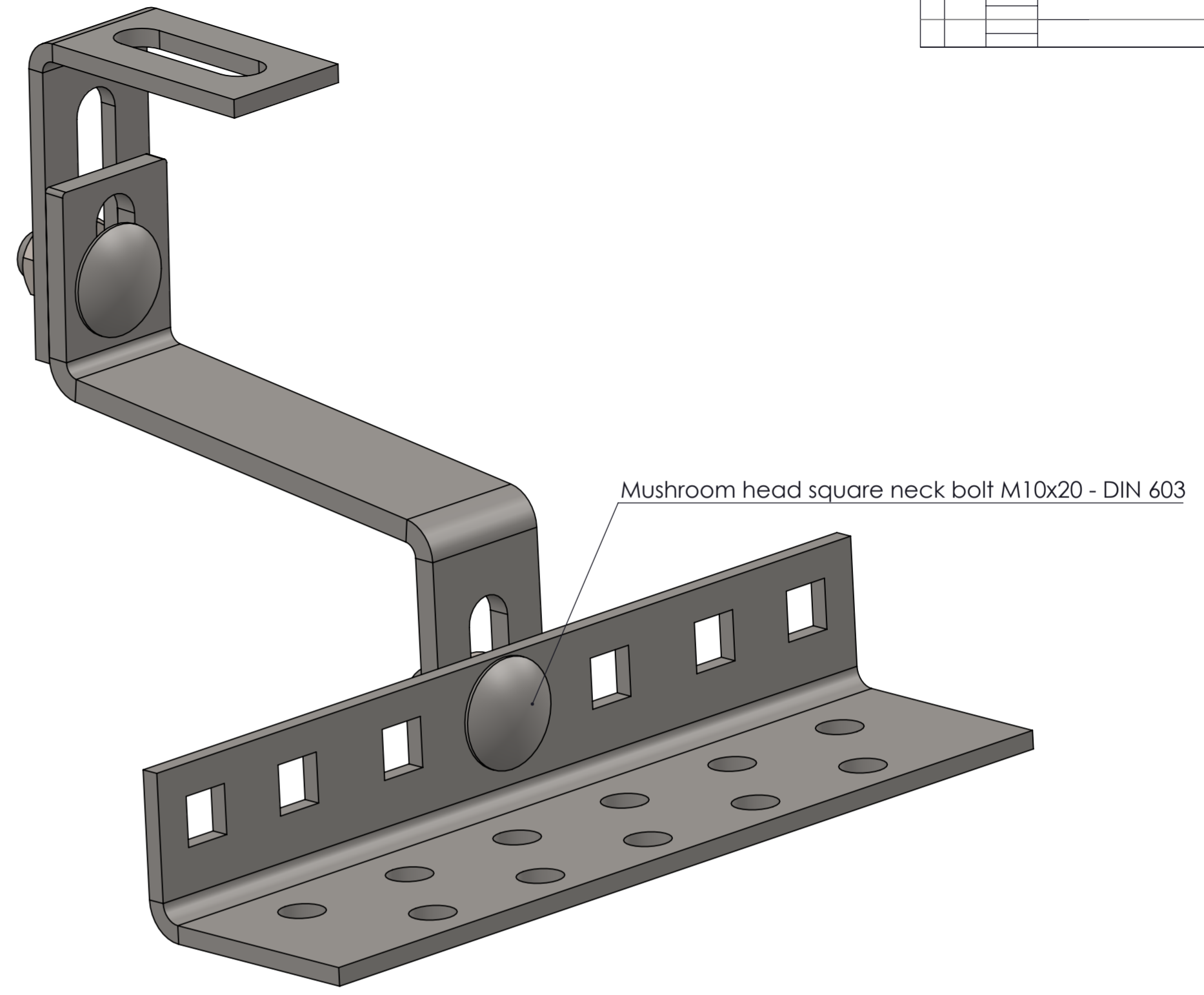
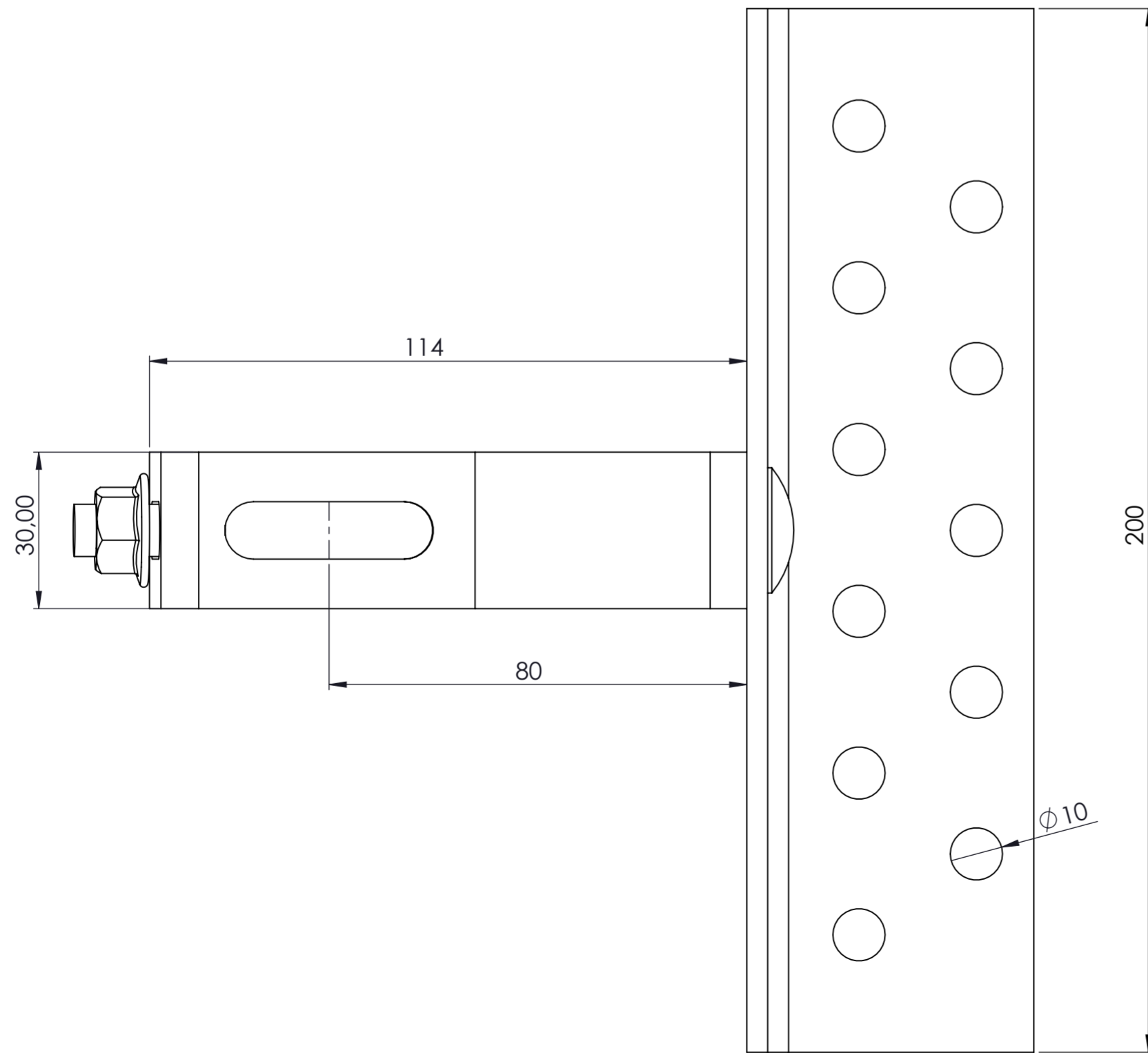
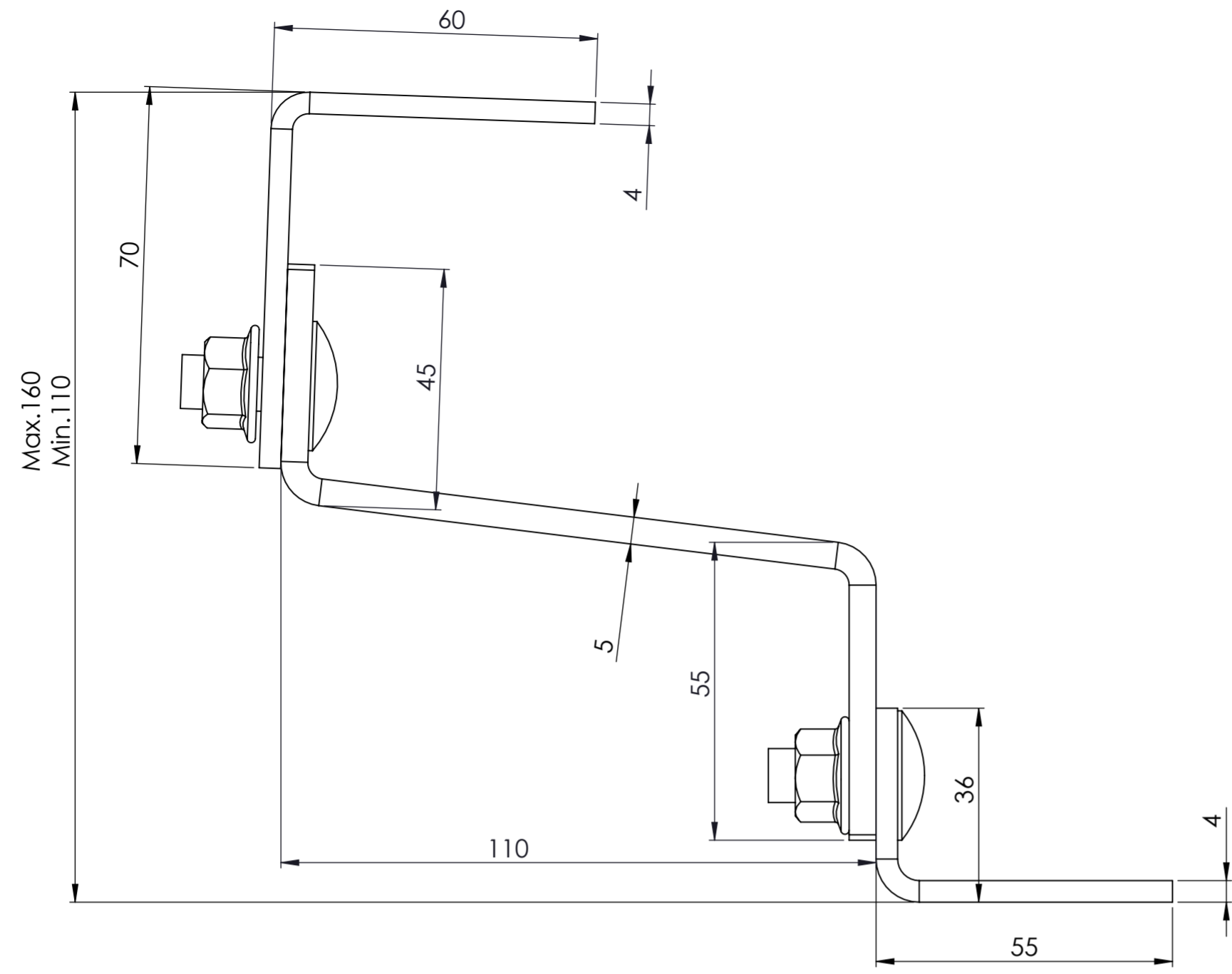


Product Engineer

J  
I  
H  
G  
F  
E  
D  
C  
B  
A



Reviews			
№	DATA	ASS. Designer	Description

MATERIAL/ SURFACE FINISH			
AISI 304 - Inox A2 70			
Notes:			
WEIGHT: 0.85 kG			
Area: 0.08 m2			
Blank:			
Scale: 1:2	Unit: mm	Sheet: A3	Data (Rev. 00): 24/04/2024

1 2 3 4 5 6 7 8 9 10